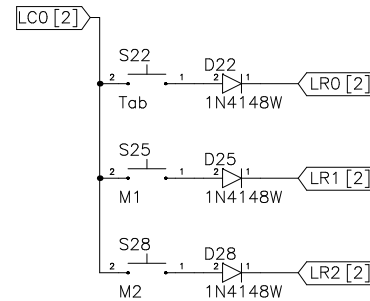
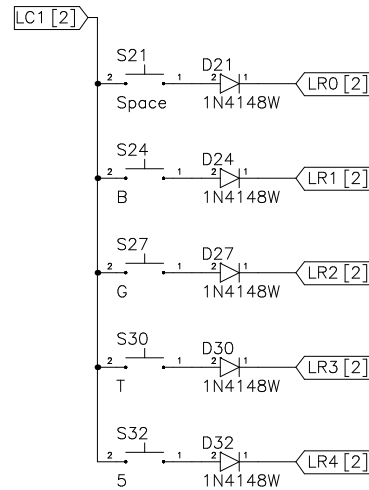
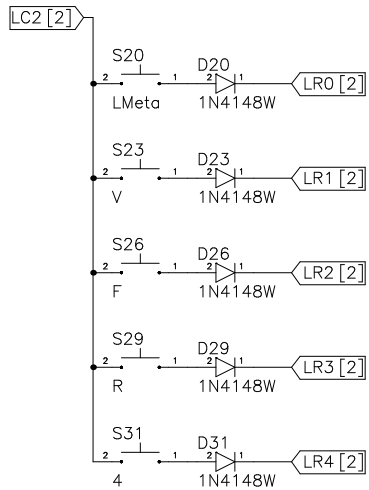
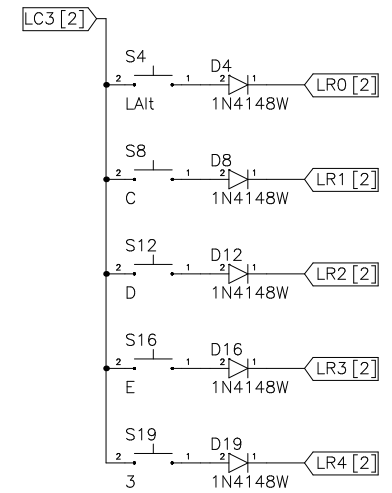
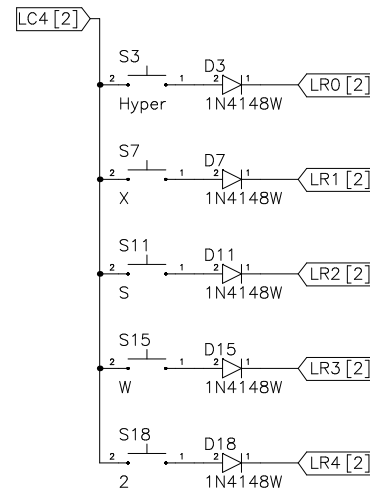
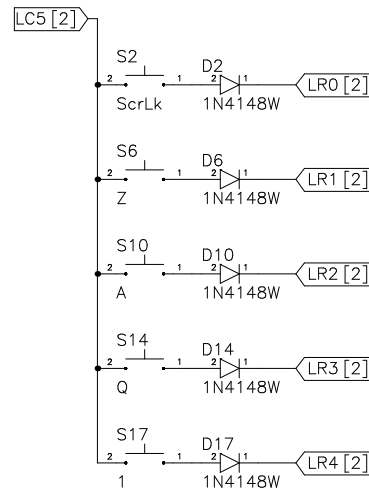
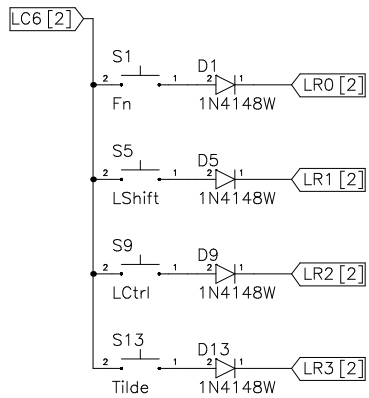

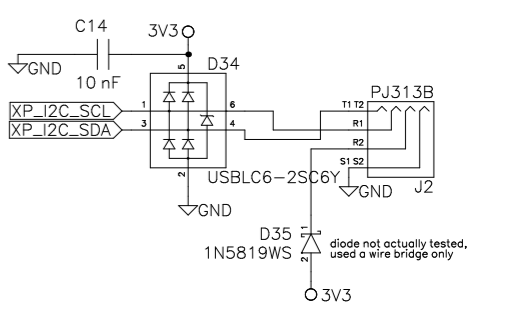
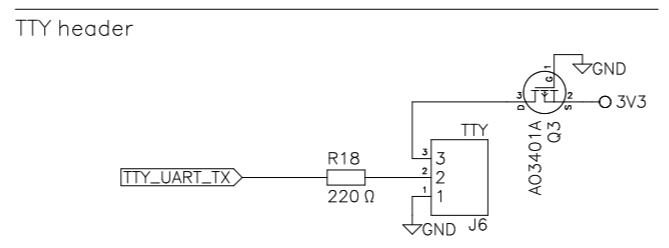
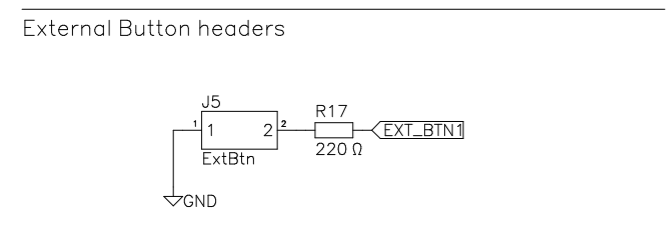
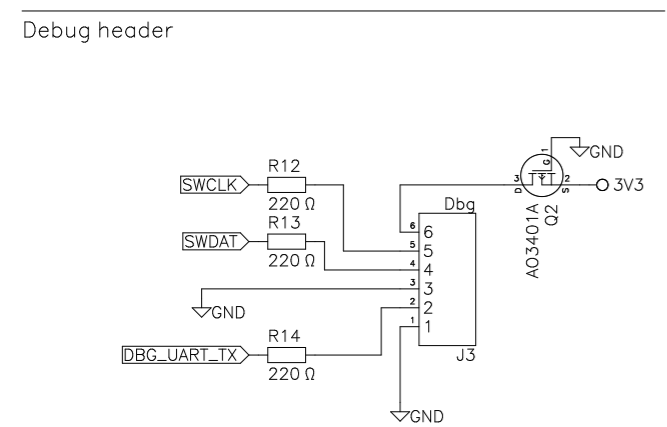
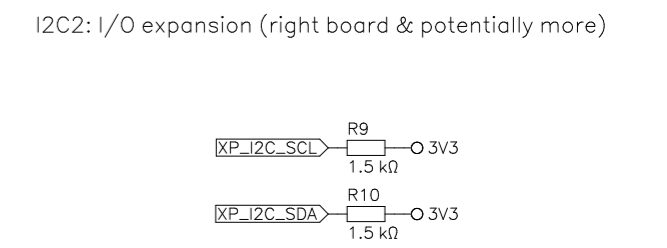
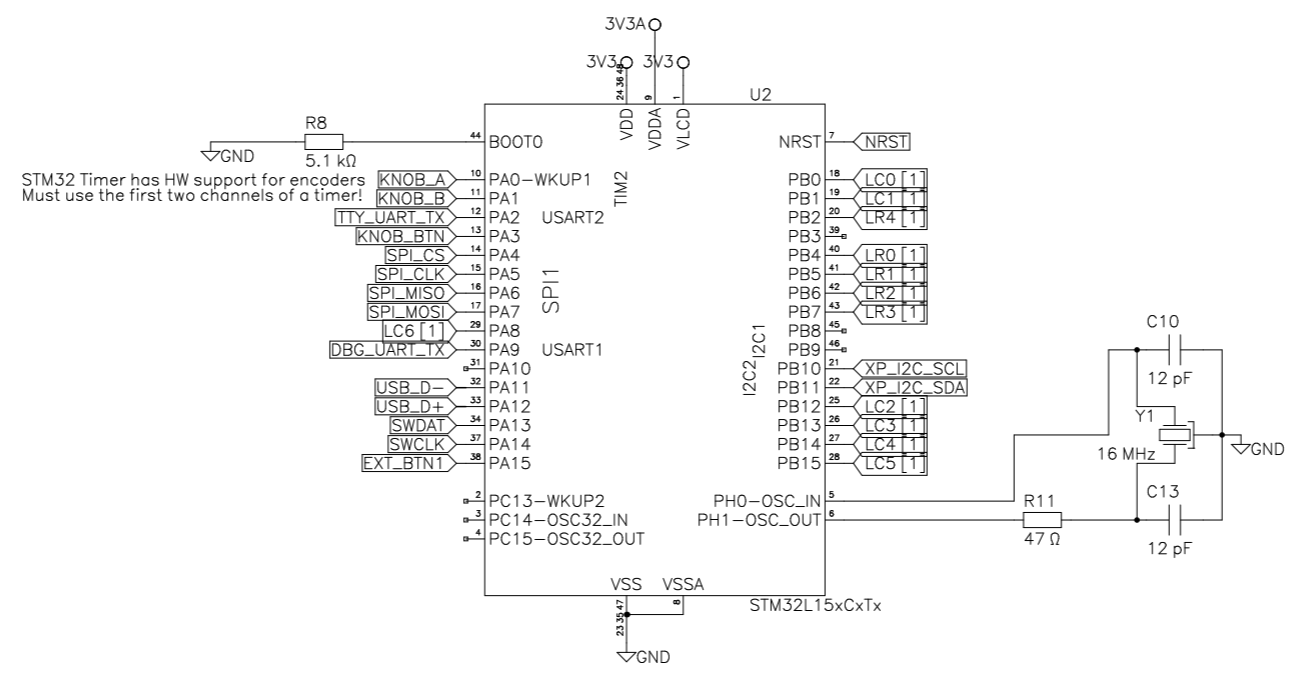
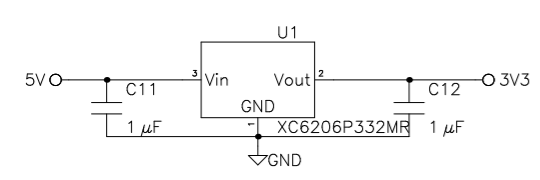
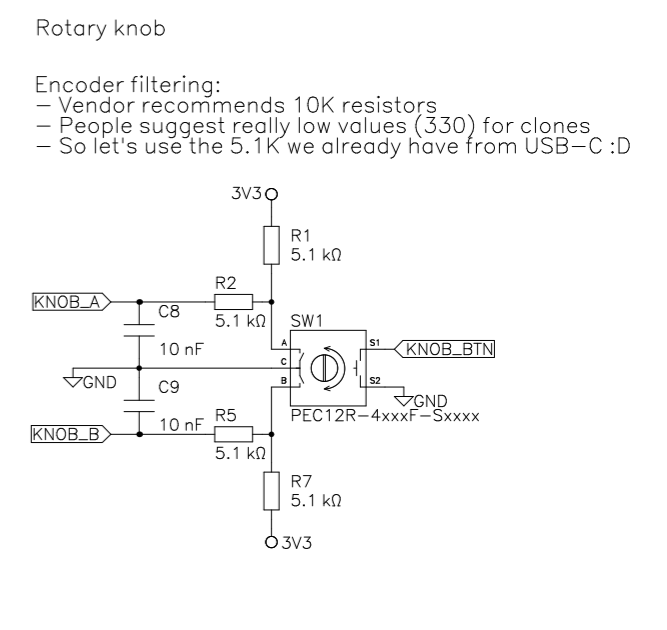
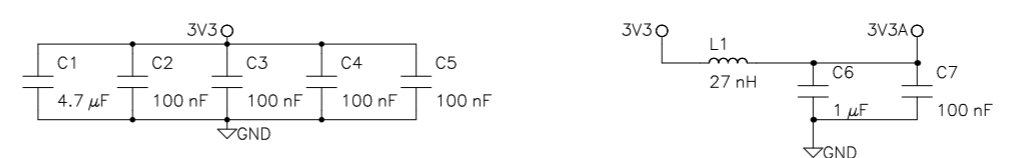
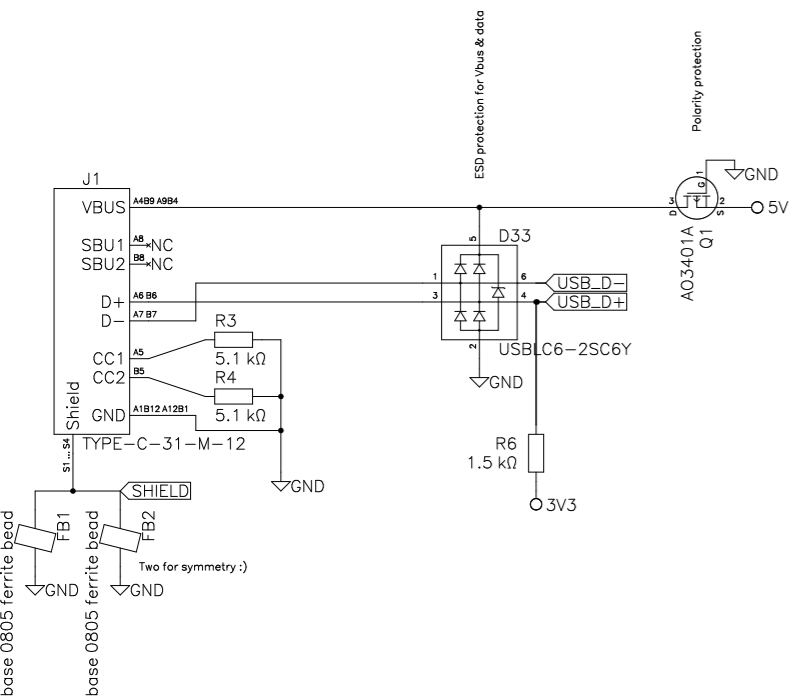


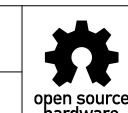
Columns: LEFT (6) ... MIDDLE (0)  
 Rows: TOP (4) ... BOTTOM (0)

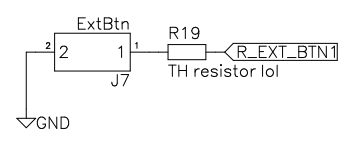
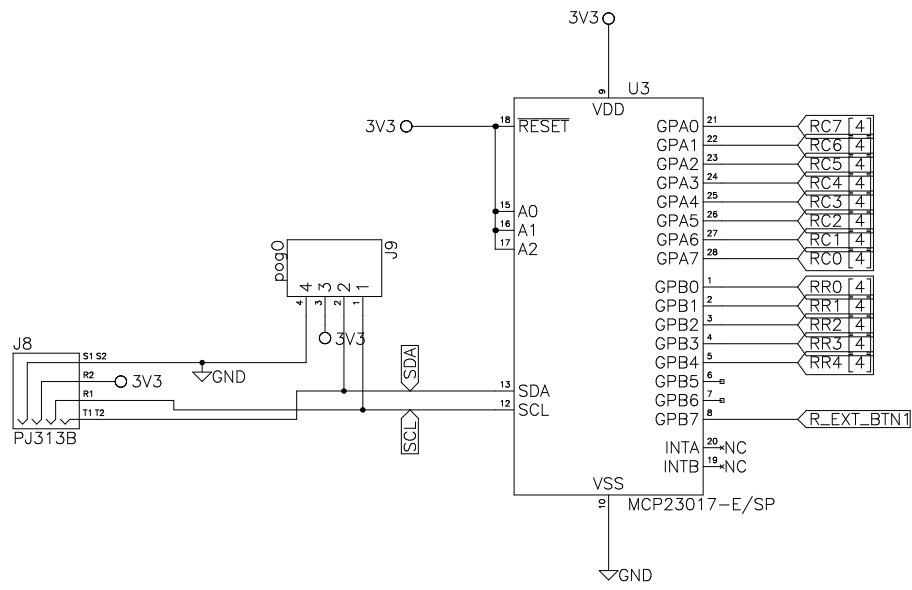



Sheet Left Matrix	Number 1/4
Project ErgoNICE	Revision 1
Drawn by Val Packett	
License Unlicense	 open source hardware
Date 2022-03-01	



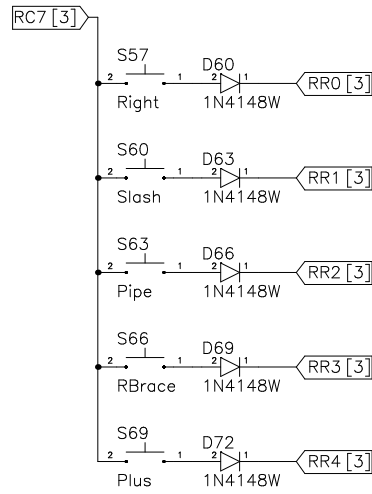
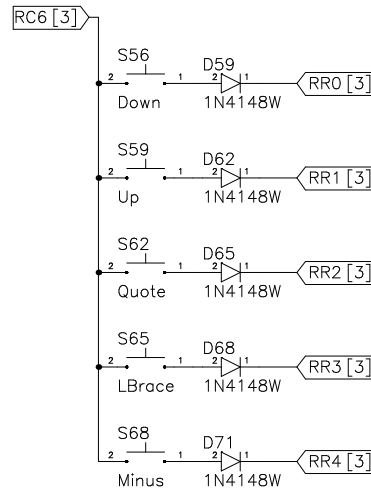
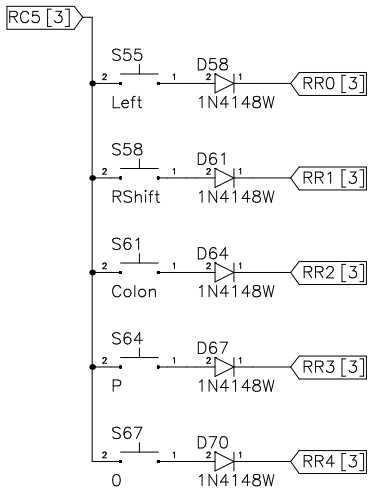
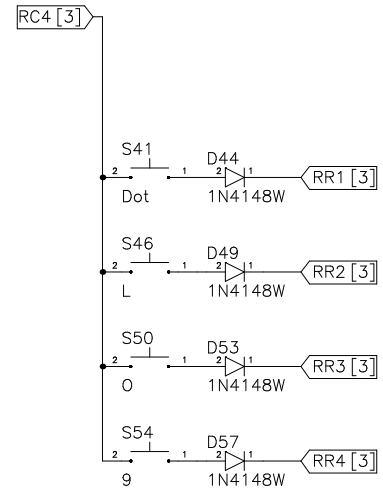
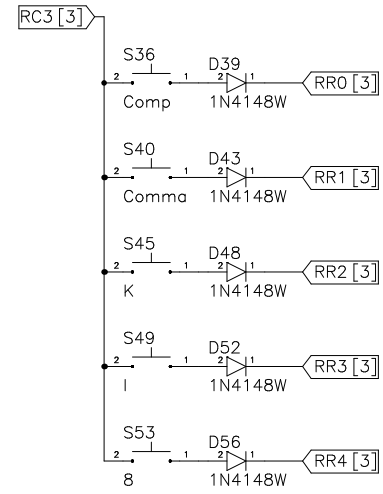
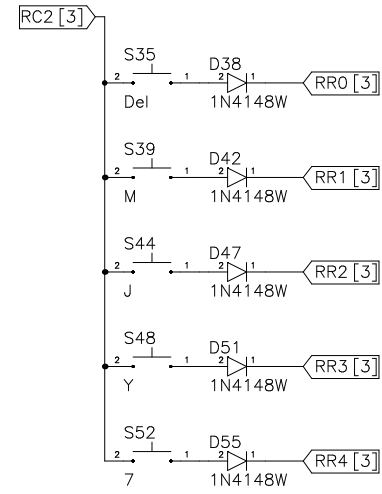
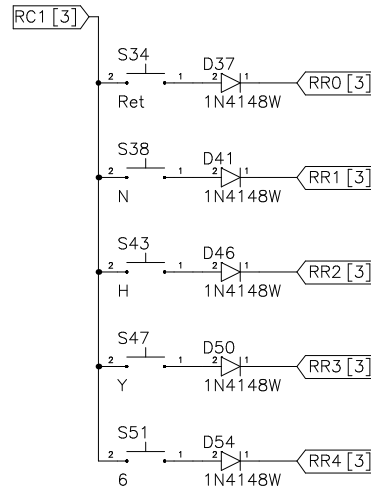
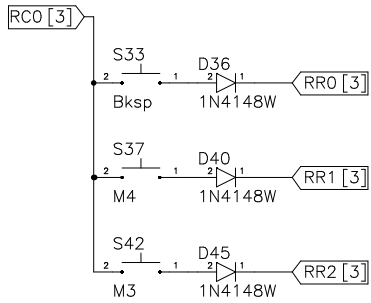
Sheet Left Electronics	Number 2/4
Project ErgoNICE	Revision 1
Drawn by Val Packett	
License Unlicense	
Date 2022-03-01	





Sheet Right Electronics	Number 3/4
Project ErgoNICE	Revision 1
Drawn by Val Packett	
License Unlicense	 open source hardware
Date 2022-03-01	

Columns: MIDDLE (0) ... RIGHT (7)  
 Rows: TOP (4) ... BOTTOM (0)



Sheet Right Matrix	Number 4/4
Project ErgoNICE	Revision 1
Drawn by Val Packett	
License Unlicense	
Date 2022-03-01	

